

## STANDARD COMPACT SCALE

## DATA BRIEF

Models XRW



(See chart on back of page for dimensions and ordering number.)

The **Xpress** Standard Compact scale is an innovative, easy to use over/under scale particularly suited for wet environment applications in the food processing and retail. IP65 protection, dual display, max. 6000d resolution and AC or battery power make it the ideal ergonomic solution for today's mobile and fixed workplaces. The scale is extremely easy to clean and has a fast display update rate and high readability for increased work efficiency.

### ■ APPLICATIONS

- Food processing
- Retail and grocery
- Portion control
- Packaging
- Checkweighing

### ■ STANDARD FEATURES

- IP65 protection
- Over/Under weighing
- Alarm
- lb / g / oz
- Stainless steel platter
- Four level brightness adjustment
- Battery/Power saving
- **Dual display (front/back)**



### ■ OPTIONS/ACCESSORIES

- Rechargeable battery

### Display

14 mm height, 6 digit red LED  
 DUAL DISPLAY  
 1/6000 display resolution (1/3000 approved)

### Cursor Indications

Gross zero, Net, Charging, Battery, Weight units,  
 Over/Under

### Keyboard

4 touch keys, tactile and tone feedback

### Basic Functions

Zero, tare, on/off, over/under

### Platter

7" x 9" stainless steel

### Scale Dimensions

12.2" x 9" x 5"

### Units

lb, g, oz

### Battery

Rechargeable lead-acid, 6V/5Ah, sealed

### Adapter

9V/500mA

### IP Protection

IP65

### Tare Range

100%

### Overload Stop

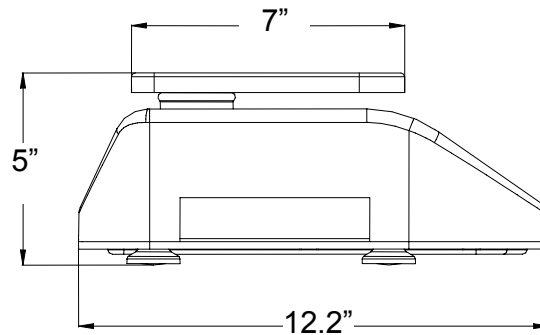
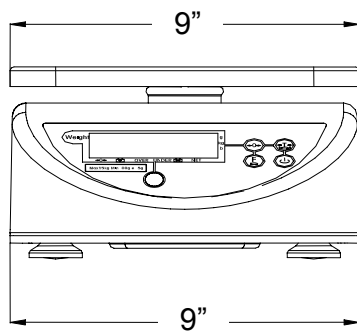
2 adjustable screws

150% FS

### Operating Temperature

32°F to 104°F (0°C to +40°C)

10 to 90% humidity, non-condensing



### Standard Compact Scale

Item #	Model	Capacity [lb]	Resolution [lb]	Platter Size ["]	Shipping Information			
					L ["]	W ["]	H ["]	WT [lb]
71207643	XRW11-1220	3	0.001	7 x 9	15.0	11.6	7.5	11.0
71207644	XRW11-2220	6	0.002	7 x 9	15.0	11.6	7.5	11.0
71207645	XRW11-3220	15	0.005	7 x 9	15.0	11.6	7.5	11.0
71207646	XRW11-4220	30	0.01	7 x 9	15.0	11.6	7.5	11.0