



# Portable Scales

For General Industry

Industry's most comprehensive portable line for mechanical to advanced digital weighing.

1124 Series • 1100 Series • 1155 Series • 1129 Series



Mechanical • Basic Digital • Advanced Digital • Dual Platform Counting

Fairbanks portable scales  
are legal for trade in the  
U.S. and Canada.



Visit our world: [WWW.FAIRBANKS.COM](http://WWW.FAIRBANKS.COM)



# Fairbanks Portable Scales

F O R G E N E R A L I N D U S T R Y



## 1124 Series *General mechanical weighing*

*Rugged and economical mechanical beam scale for industrial and commercial general utility weighing.*



**Chrome-plated beam, clearly shows exact weight.**

- Mechanical design makes this scale ideal for intrinsically safe applications.
- Low-cost weighing solution.
- Easy to maneuver.
- Easy-to-read, chrome-plated weigh beam with brass inset.
- Weighs in lb or kg.



**Legal for Trade**

### *Applications:*

- Intrinsically safe
- Inventory
- Parts distribution
- Warehousing
- Bag filling



## 1100 Series *General digital weighing*

*Cost-effective digital solution for basic commercial utility scale applications.*



**Features a chemical resistant overlay.**

- Runs on AC or built-in rechargeable battery.
- Low-cost weighing solution.
- Functions include on/off, units, zero, B/G net, auto tare and printing.
- Large, 2.0" backlit LCD display.
- RS232 bidirectional communications.
- Weighs in lb and kg.



**Legal for Trade**

### *Applications:*

- Auditing
- Parts distribution
- Material handling
- Warehousing
- Bag filling



## 1155 Series *Advanced digital weighing*

*Full numeric keypad allows manual input of tare weights and IDs.*



**2255 Series Instrument**

- Runs on AC power or D cell batteries.
- Easy-to-read, 1.0" tall, backlit LCD display.
- Low-power technology enables batteries to last for up to 100 hours of continuous use.
- RS232C, RS485, RS422 and 20 mA serial interface.
- Weighs in lb, kg, oz, g, and custom units.



**Legal for Trade**

### *Applications:*

- Auditing
- Inventory
- Parts distribution
- Material handling
- Warehousing
- Bag filling



## 1129 Series *Dual platform counting*

*Streamline inventory control and parts management by using the 1,000 lb remote platform to accurately count thousands of small parts.*



**Omega Counting Scale**

- Runs on AC power or 15-hour continuous use rechargeable battery.
- Easy-to-read, 0.6" tall, backlit LCD display.
- Auto-switching, programmable sample sizes, automatic tare functions, numeric product ID and piece/weight accumulation.
- Weighs in lb and kg/g.

### *Applications:*

- Parts/piece counting
- Auditing
- Inventory
- Parts distribution
- Material handling
- Warehousing
- Kitting



Setting the  
Industry Standard  
since 1830

# Portable Scale Platform/pillar

Time-proven reliability

At the heart of Fairbanks' Portable General Industrial Scales is a cast iron base and lever system with a stellar design that's served the weighing industry for more than 100 years.

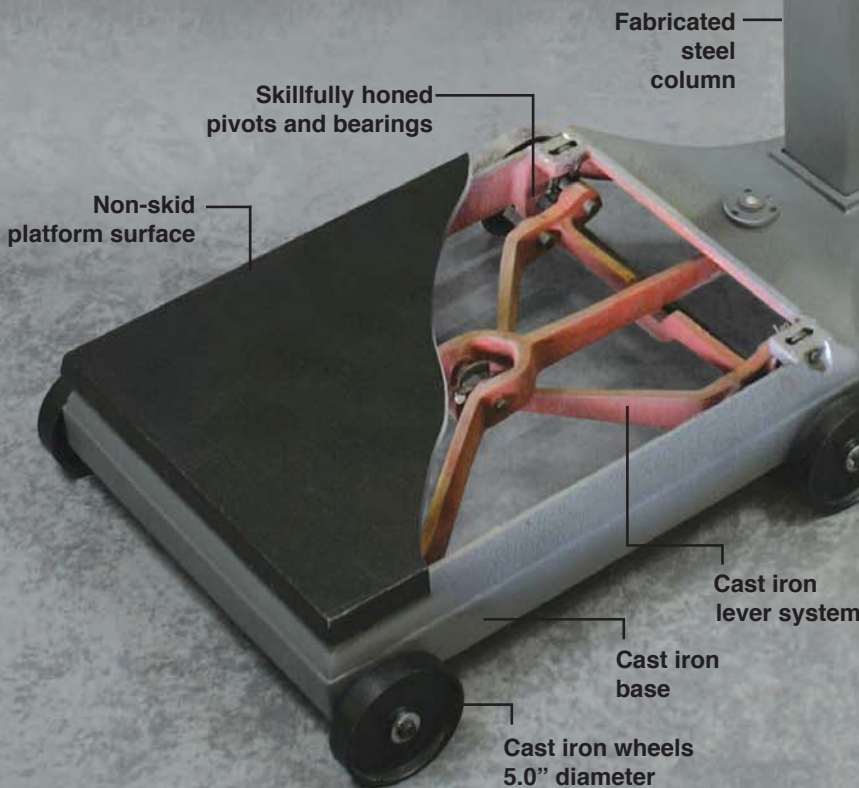
- 1000 lb capacity
- Incredibly durable cast iron construction
- Easy portability
- Accurate and dependable



New, slip-proof, ergonomic handle on the 1100, 1155 and 1129 Series scales.



The 1124 Series has an easy-grip handle attached directly to the instrument column.



*We  
invented  
platform  
weighing*

Fairbanks Scales is one of the oldest manufacturing companies in the United States. It was founded in St. Johnsbury, Vermont in 1830 by inventor Thaddeus Fairbanks, whose platform scale revolutionized commerce and trade around the globe.

*Non-commercial  
portable model*



### BPP Scale

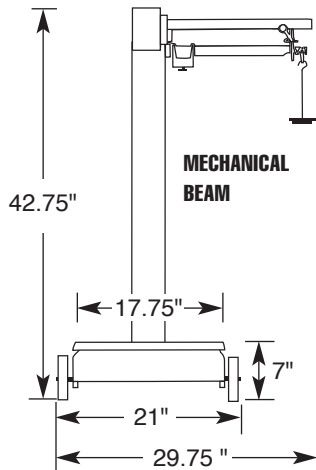
- Non-commercial mechanical utility scale with a 1,000 or 2,000 lb. capacity.
- Chrome-plated beam with brass inset that features large, easy-to-read graduations.
- Weighs in pounds.
- Shipping weight:  
BPP 1000 = 175 lbs  
BPP 2000 = 370 lbs

# Portable Scales

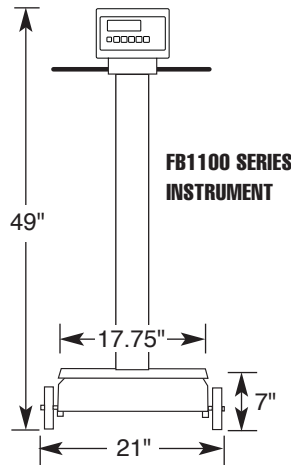
For General Industry

## DIMENSIONS (in inches)

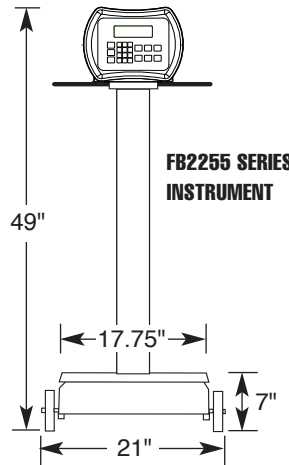
### 1124 SERIES



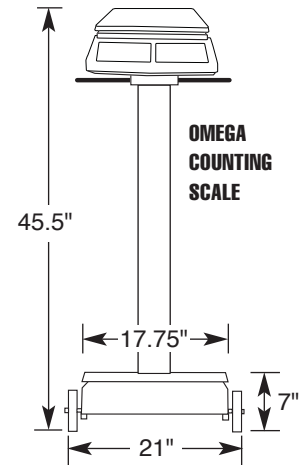
### 1100 SERIES



### 1155 SERIES



### 1129 SERIES



### 1124 SPECIFICATIONS

Capacity . . . . . 1000 x 0.5 lb  
 Beam . . . . . Chrome-plated  
 with brass inset;  
 large, easy-to-read  
 graduations  
 Units . . . . . lb or kg  
 Approvals . . . . . NTEP CC# 88-266;  
 MC #AM-4657

### BASE SPECIFICATIONS (ALL MODELS)

Platform size . . . . . 23.5" x 17.75"  
 Construction . . . . . Cast iron  
 Wheels . . . . . 5.0" diameter,  
 cast iron  
 Column . . . . . Fabricated steel

### 1100 SPECIFICATIONS

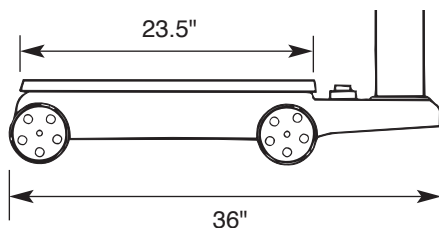
Capacity . . . . . 1000 x 0.2 lb  
 Display . . . . . LCD, 2.0" tall,  
 5½-digit,  
 7-segment  
 Enclosure . . . . . ABS plastic,  
 NEMA 12  
 Push Button Keys . . . . . Units, on/print,  
 zero, B/G net,  
 auto tare, off,  
 over/under  
 Units . . . . . lb, kg  
 Communications . . . . . RS232  
 bidirectional  
 Power . . . . . AC or built-in  
 rechargeable  
 battery  
 Approvals . . . . . NTEP  
 CC# 92-110;  
 MC #AM-5745

### 1155 SPECIFICATIONS

Capacity . . . . . 1000 x 0.2 lb  
 Display . . . . . LCD, 1.0" tall,  
 6-digit,  
 7 segment,  
 Enclosure . . . . . ABS plastic,  
 NEMA 12  
 Push Button Keys . . . . . 0-9, decimal,  
 enter, menu,  
 ID/left arrow,  
 right arrow,  
 zero, print,  
 units, tare,  
 on/off, B/G net  
 Units . . . . . lb, kg, oz, g  
 and custom  
 Communications . . . . . COM 1 - RS232,  
 RS485  
 COM 2 - RS232,  
 RS485, RS422,  
 20 mA,  
 External - DB9  
 bidirectional  
 Power . . . . . AC or 5 "D"  
 cell batteries  
 Approvals . . . . . NTEP  
 CC# 92-110;  
 MC #AM-5720

### 1129 SPECIFICATIONS

Capacity  
 Upper platform . . . . . 6 x 0.0002 lb  
 15 x 0.0005 lb  
 30 x 0.001 lb  
 60 x 0.002 lb  
 100 x 0.002 lb  
 Lower platform . . . . . 1000 lb  
 Display . . . . . Backlit LCD  
 3-line display,  
 0.57" tall  
 characters  
 Enclosure . . . . . ABS and  
 stainless steel  
 Sample size . . . . . Programmable  
 Units . . . . . lb, kg/g  
 Communications . . . . . RS232  
 bidirectional  
 Power . . . . . AC, 117 VAC,  
 internal  
 lead acid  
 rechargeable  
 battery  
 Internal resolution . . . . . 1/1,000,000  
 Overload capacity . . . . . 150% of rated  
 scale capacity



Call toll-free for the representative nearest you:

**(800) 451-4107**

Call between 8:00 a.m. – 5:00 p.m. CST  
 Corporate Offices: 821 Locust • Kansas City, MO 64106 • (816) 471-0231  
 Internet Address: <http://www.Fairbanks.com>



St. Johnsbury manufacturing  
 facility registered in  
 compliance with ISO 9001.

